

# CHECK VALVE KIT

## »» 687 SERIES

### SPECIFICATION

Sioux Chief 687-3CVKIT check valve kit (two check valves included) shall be used in conjunction with water heater tee or cross adapters where necessary to allow flow in a single direction and prevent backflow in hot and cold water distribution systems.

Designed in accordance with DIN EN 13959.

### MATERIALS

**O-ring:** NBR

**Spring:** Stainless steel

**Lip seal:** NBR

**Plunger:** POM

**Guidance:** POM

**Ring cap:** POM

### MAX OPERATING TEMPERATURE

149 °F

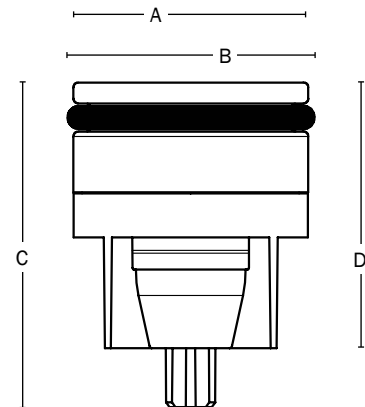
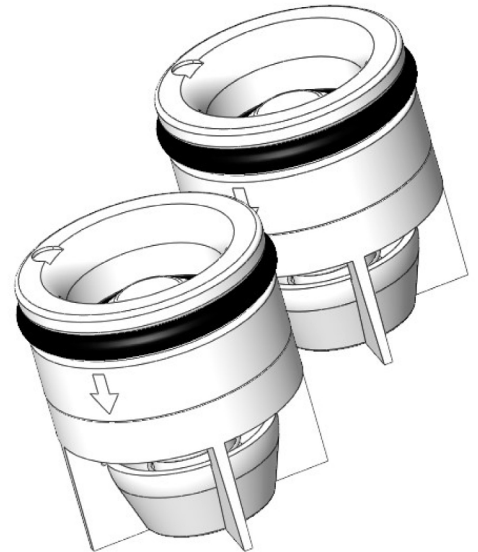
### INSTALLATION NOTES

Use water, silicone grease, or silicone oil for insertion/assembly. Always follow local plumbing/building codes.

### DIMENSIONS

<b>A:</b> Diameter	0.772" +/- 0.004"
<b>B:</b> O-ring diameter	0.81" +/- 0.010"
<b>C:</b> Length - fully open	1.066" +/- 0.024"
<b>D:</b> Length	0.872" +/- 0.014"

ITEM # SUBMITTED	_____
JOB NAME	_____
LOCATION	_____
ENGINEER	_____
CONTRACTOR	_____
PO#	_____ TAG _____



Item Number

**687-3CVKIT**